

► **Code Number**

3919724

► **Description**

Royal® Slimline® Bedpan Washer Water Closet Flushometer, for floor mounted or wall hung top spud bowls. For installation where clearance is required around Grab Bars. Installation meets ADA height requirements.

► **Flush Cycle**

1.6 gpf/6.0Lpf

► **Specifications**

Quiet, Exposed, Diaphragm Type, Chrome Plated Closet Flushometer with the following features:

- 1" I.P.S. Screwdriver Bak-Chek® Angle Stop with Free Spinning Vandal Resistant Stop Cap
- Sweat Solder Adapter w/Cover Tube & Cast Wall Flange w/Set Screw
- Stop Seat and Vacuum Breaker molded from PERMEX® Rubber Compound for Chloramine Resistance
- Low Consumption flush accuracy

Bedpan Washer Diverter Assembly with the following features:

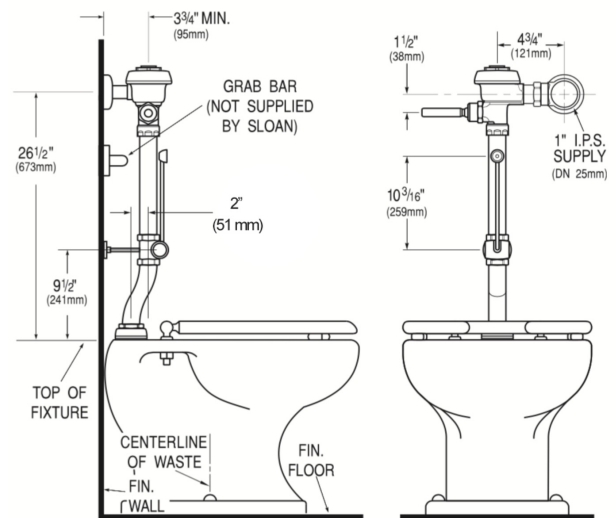
- Solid One-piece Body Construction
- Solid Brass Spray Arm
- Counter Balanced Pivot Assembly and Diverter Valve Wall Support
- Offset Flush Connection for clearance around Grab Bar installations
- ADA Compliant Metal Oscillating Non-Hold-Open Handle
- Spud Coupling and Flange for 1 1/2" Top Spud

Valve Body, Cover, Tailpiece and Control Stop shall be in conformance with ASTM Alloy Classification for Semi-Red Brass. Valve shall be in compliance with the applicable sections of ASSE 1037 and ANSI/ASME 112.19.2.

► **Variations**

F-190 2" Offset

YK - Solid Ring Pipe Support



► **Disclaimer**

All information contained within this document subject to change without notice.

► **Compliance & Certifications**



This space for Architect/Engineer Approval